



KONSOLIDATOR™ 336 SYSTEM

ULTRAFILTRATION SYSTEM FOR INDUSTRIAL WASTEWATER TREATMENT

The KONSOLIDATOR™ 336 ultrafiltration system is specially designed for treating a variety of industrial wastewaters. It is designed for systems processing 20,000 gallons (76 m³) to 70,000 gallons (265 m³) per day, or more, depending on wastewater composition. The KONSOLIDATOR™ 336 system is inexpensive to install, operate and maintain.

SPECIAL FEATURES

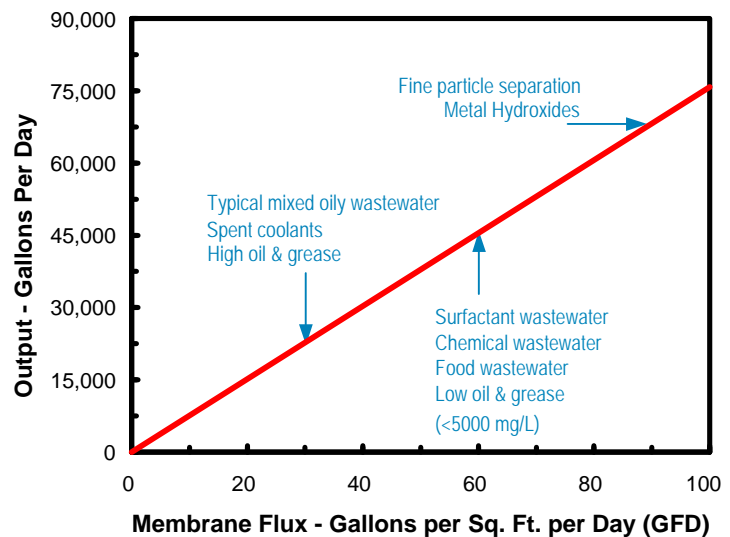
The KONSOLIDATOR™ 336 system is fabricated from cost effective and dependable components

- Up to 336 FEG PLUS™ tubular UF membranes
- 4" diameter, 304 L, schedule 10 loop piping
- 2" diameter, PVC, schedule 80 permeate piping
- ANSI centrifugal pump
- 50 HP TEFC circ pump motor
- 7.5 HP TEFC feed and CIP pump motors
- Control panel with PLC and NEMA 12 enclosure
- High and low pressure alarms
- High temperature alarm
- Feed temperature indicator
- Permeate flow indicator
- Inlet/outlet pressure gauges
- Optional cleaning skid
- Automatic purge mechanism
- Optional double mechanical seal



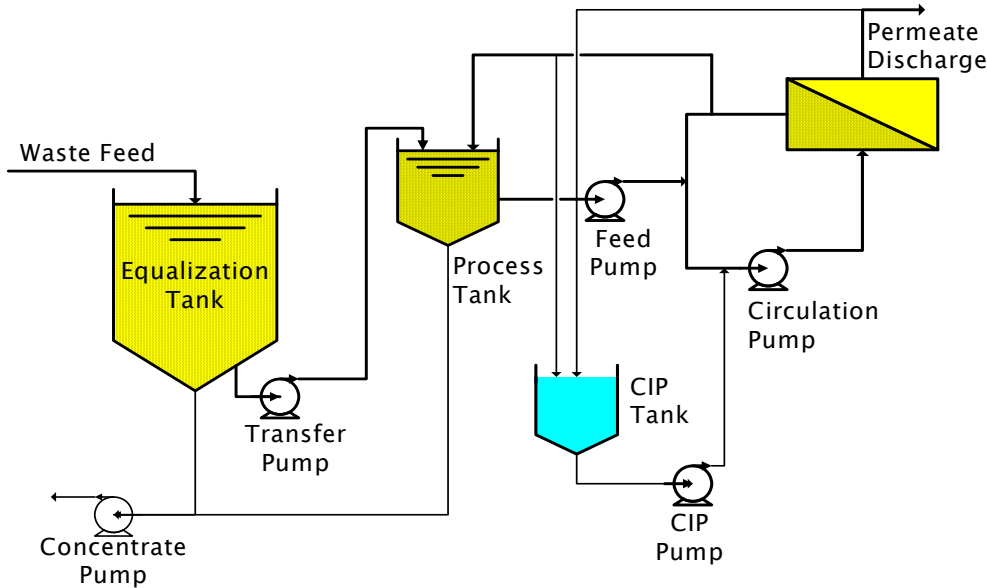
Konsolidator™ 336 UF System

KONSOLIDATOR™ 336 SYSTEM OUTPUT AS FUNCTION OF WASTEWATER SOURCE



For informational purposes only. Actual performance may vary. Consult KMS for an estimate based on your requirements.

TYPICAL UF SYSTEM FLOW SCHEMATIC



For optimal performance, the KONSOLIDATOR™ 336 system must be coupled with appropriately sized and designed pretreatment and equalization. KMS works with each customer to provide economical design solutions that integrate the KONSOLIDATOR™ 336 system seamlessly into the plant's operations.

SELECTION

Use the KONSOLIDATOR™ 336 system if you have one of the following situations:

- High suspended solids/oils and grease concentration in untreated wastewater.
- High cost of concentrate handling or disposal.
- Need for rugged, durable and reliable membranes capable of withstanding a variety of conditions.
- Requirement for highest possible concentration factor.

The KONSOLIDATOR™ 336 system is designed around KMS' FEG PLUS™ tubular membranes, the most rugged and versatile of all polymeric designs. The primary benefits and features are:

- Ability to be mechanically cleaned with spongeballs, which permits removal of foulants not possible with other membranes. This feature yields reliable and consistent performance in difficult applications.
- Ability to operate at maximum suspended solids concentrations without plugging, which minimizes prefiltration and retentate handling expenses.

This document was prepared for informational purposes only. This is not a guarantee of results to be achieved by the customer, and individual results may vary. Koch Membrane Systems' Standard Terms and Conditions are incorporated herein by reference.

DIMENSIONS

UF SUBSYSTEM

Length	11 ft (3.4 m)
Width	10 ft (3.0 m)
Height	9 ft (2.7 m)
Shipping Weight	4300 lb (1950 kg)
Operating Weight	5900 lb (2680 kg)

CIP SKID (OPTIONAL)

Length	4 ft (1.2 m)
Width	4 ft (1.2 m)
Height	6 ft (1.8 m)
Shipping Weight	200 lb (90 kg)
Operating Weight	2200 lb (1000 kg)

Koch Membrane Systems, Inc., www.kochmembrane.com

Corporate Headquarters: 850 Main Street, Wilmington, Massachusetts 01887-3388, US, Tel. Toll Free: 1-888-677-5624, Telephone: 1-978-694-7000, Fax: 1-978-657-5208
European Headquarters: Koch Chemical Technology Group Ltd., Units 3-6, Frank Foley Way, Stafford ST16 2ST, GB, Telephone: +44-178-527-2500, Fax: +44-178-522-3149

Aachen DE Lyon FR Madrid ES Milan IT Wijnegem BE Beijing & Shanghai CN Mumbai & Chennai IN Melbourne & Sydney AU Singapore Sao Paulo BR Manama BH

KONSOLIDATOR is a trademark of Koch Membrane Systems, Inc.
The FLOW LINES DESIGN is a trademark of Koch Membrane Systems, Inc. and the STYLIZED K is a trademark of Koch Industries, Inc.
Koch Membrane Systems, Inc. is a Koch Chemical Technology Group, LLC company.
© 2013 Koch Membrane Systems, Inc. All rights reserved worldwide.

10/13 Rev. 13-1