



8" KPAK[®]: 8638 M-183-VPP MODULE

Zero Bypass 8" E-Coat Ultrafiltration Spiral Modules

| | | |
|----------------------------|------------------------------------|--|
| PRODUCT DESCRIPTION | KMS Part Number (KPN): | 0750786 |
| | Membrane Chemistry: | PVDF |
| | Membrane Type: | HFM (Positive Charge) |
| | Membrane Area: | 241 ft ² (22.4 m ²) |
| | Construction: | Spiral wound element with integrated PVC housing |
| | Feed Spacer Thickness: | 46 mils (1.1 mm) |
| | Interconnecting Components: | See page 2. |

| | | |
|--|---|---------------------------------------|
| OPERATING & DESIGN INFORMATION* | Maximum Inlet Pressure at Temperature: | 80.0 psi @ 110 °F (5.5 bar @ 43 °C) |
| | Maximum Inlet Pressure at Temperature: | 64.0 psi @ 120 °F (4.4 bar @ 49 °C) |
| | Minimum Outlet Pressure: | 10.0 psi (0.70 bar) |
| | Maximum Operating Temperature at Pressure: | 125 °F @ 56 psi (51.6 °C @ 3.9 bar) |
| | Maximum Permeate Side Back Pressure: | 5.0 psi (0.34 bar) |
| | Maximum Feed Side Pressure Drop: | 35.0 psi @ 125 °F (2.4 bar @ 51.6 °C) |
| | Allowable pH – Continuous Exposure: | 2.0 – 10.0 pH @ 125 °F (51.6 °C) |
| Allowable pH – Short Term Exposure: | 1.5 – 10.5 pH @ 125 °F (51.6 °C) | |

*Koch Membrane Systems, Inc. must review operating and cleaning conditions for all new plants and any changes to existing plants.

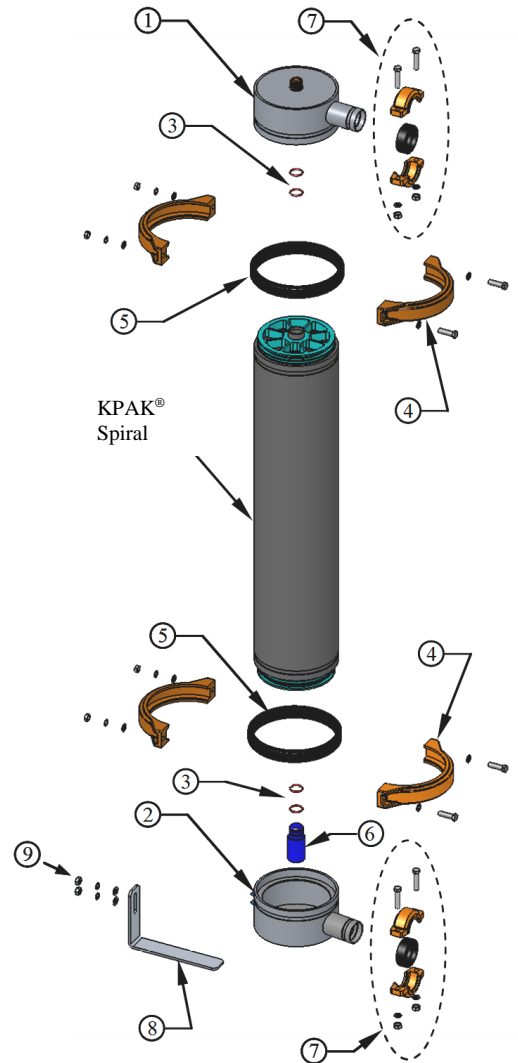
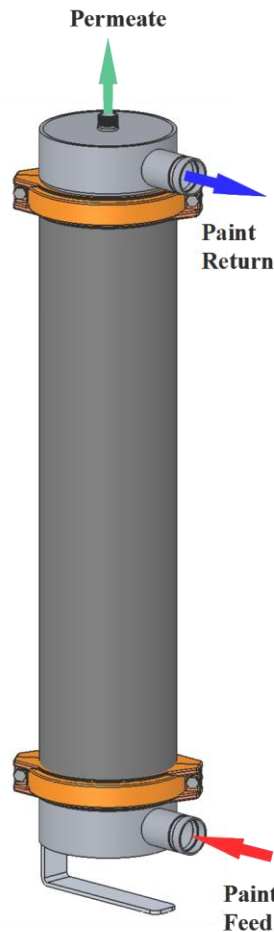
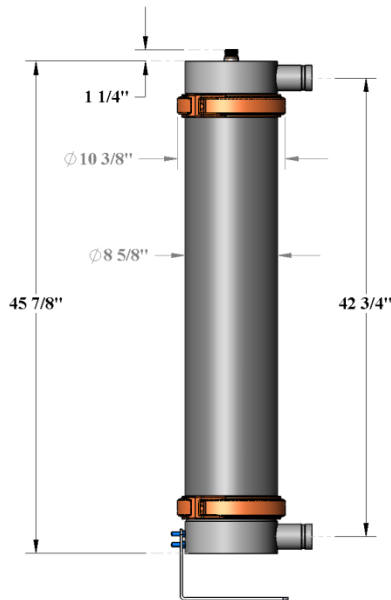
| | | |
|---------------------------|---------------------------------|---------------------|
| NOMINAL DIMENSIONS | Element Length: | 39.25 in (997.0 mm) |
| | Element O.D.: | 8.63 in (219.2 mm) |
| | Permeate Tube I.D.: | 1.3 in (33.0 mm) |
| | Element Shipping Weight: | 70 lbs (32 kg) |
| | Element Working Weight: | 90 lbs (40.82 kg) |

8" KPAK® SPIRAL MODULE ASSEMBLY

KPN 0211860 – Kit for New Systems
 KPN 0211851 – Retrofit Kit with 2" Process Ports
 KPN 0211858 – Retrofit Kit with 1½" Process Ports

Description

| Item | Description | Material | KPN | Req. |
|--|---------------------|------------|---------------|------|
| 1 | Outlet End Cap | 304 SS | 1005176 | 1 |
| 2 | Inlet End Cap | 304 SS | 1005175 | 1 |
| 3 | Permeate O-Ring | EPDM | 1006103 | 4 |
| 4 | 8" Coupling | Steel | 1001123 | 2 |
| 5 | 8" Gasket | EPDM | Comes with #4 | 2 |
| 6 | Permeate Plug | PVC | 1005183 | 1 |
| 7a | 2" Coupling | Steel/EPDM | 0151258 | 2 |
| or | | | | |
| 7b | 2" X 1 ½" Coupling | Steel/EPDM | 1004333 | 2 |
| <u>Items 8-9 are for Retrofit Only</u> | | | | |
| 8 | Cartridge Support | 304 SS | 0030363 | 1 |
| 9 | Hardware 3/8"-16UNC | 304 SS | 0211865 | 1 |



The information contained in this publication is believed to be accurate and reliable, but is not to be construed as implying any warranty or guarantee of performance. We assume no responsibility, obligation or liability for results obtained or damages incurred through the application of the information contained herein. Refer to Standard Terms and Conditions of Sale and Performance Warranty documentation for additional information.

Koch Membrane Systems, Inc., www.kochmembrane.com

Corporate Headquarters: 850 Main Street, Wilmington, Massachusetts 01887-3388 USA. Tel.: 1-888-677-KOCH.

For related trademark information, visit www.kochmembrane.com/legal

Koch Membrane Systems, Inc. is a Koch Chemical Technology Group, LLC company.

© 2017 Koch Membrane Systems, Inc. All rights reserved worldwide.