

SPIRAPAK™ MODULE: 4038-HFM-183-LPP3

Spiral Ultrafiltration Module for Cathodic Electrocoat Paint

PRODUCT DESCRIPTION

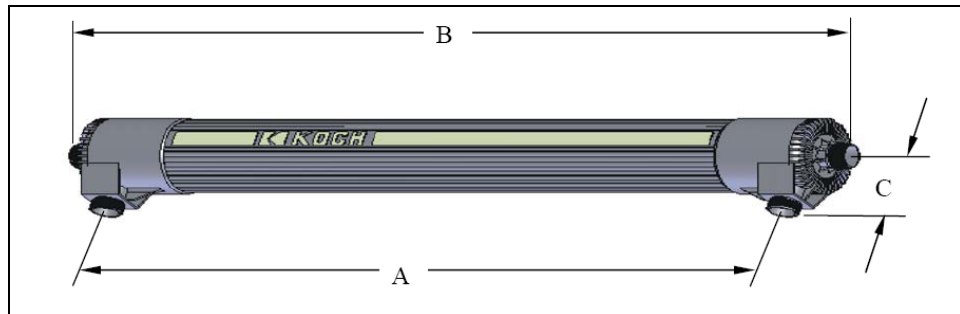
KMS Part Number:	0750782
Membrane Chemistry:	PVDF
Membrane Type:	HFM (positive charge)
Membrane Area:	78 ft ² (7.2 m ²)
Construction:	Spiral wound element with integrated PVC housing
Seal:	EPDM
Feed Spacer Thickness:	0.030" (0.7 mm)

OPERATING AND DESIGN INFORMATION*

Maximum Inlet Pressure:	80 psi @ 125°F (5.5 bar @ 52°C)
Maximum Operating Temperature:	125°F (52°C)
Allowable pH – Continuous Operation:	3 – 7 @ 125°F (52°C)
Allowable pH – Short Term Cleaning:	2 – 7 @ 125°F (52°C)
Maximum Feed Side Pressure Drop:	40 psi @ 125°F (2.8 bar @ 52°C)
Maximum Permeate Pressure:	5 psi (0.3 bar)

*Consult Process Technology Group for specific information.

NOMINAL DIMENSIONS



A	B	C	Working Weight	Permeate and Process Connections
inches (mm)	inches (mm)	inches (mm)	lbs (kg)	
49.6 (1,260)	56.4 (1,430)	2.5 (64)	45 (20)	1¼ NPSM

MEMBRANE INCOMPATIBILITY

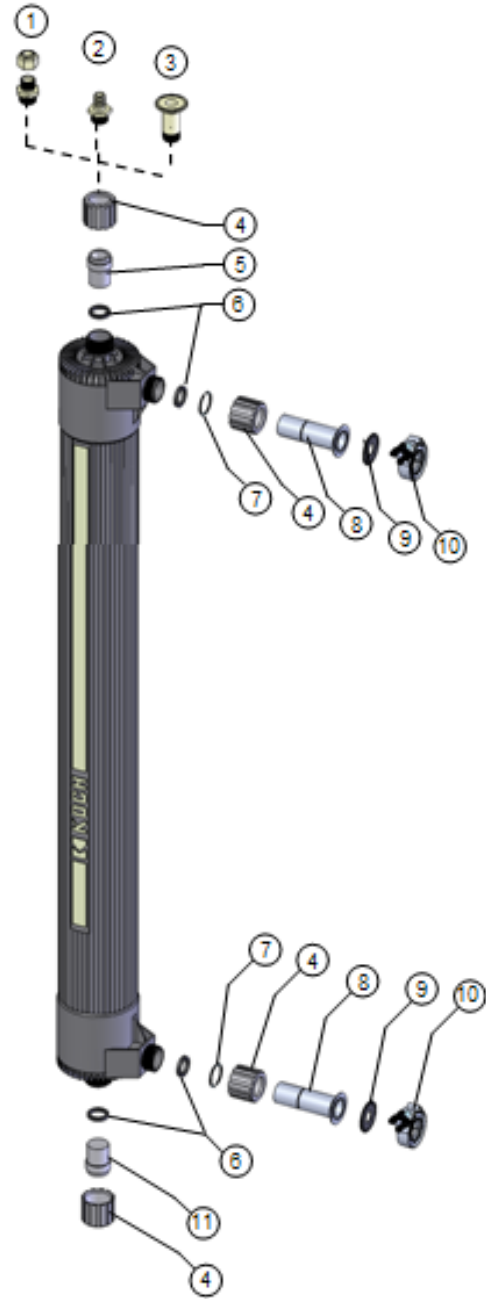
Prior to exposing the membrane to any chemical, the chemical should be reviewed by Koch Membrane Systems. Aside from the listed chemicals below, synthetic coolants, semi-synthetic coolants, kerosenes, naphtha, gasoline, floc polymers may affect membrane performance.

Chemicals that should be avoided include the following:

- Aprotic Solvent (e.g., Dimethyl Formamide, Dimethyl Acetamide, N-Methyl Pyrolidine, etc.)
- Chlorinated Solvents (e.g., Methylene Chloride, Chloroform, Carbon Tetrachloride, etc.)
- Ketones (e.g., Acetone, Diacetone Alcohol, etc.)
- Silicones or Silicone based Defoamers (e.g., Siloxane)

SPIRAPAK MODULE ASSEMBLY

Item	Description	Qty /Unit	KPN
1	Permeate connection Option #1 – 5/8" OD Rigid Tubing	1	0231208
2	Permeate connection Option #2 – 1/2" ID Flex hose	1	0231207
3	Permeate connection Option #3 – 1 1/2" Sanitary ferrule	1	0212300
4	Nut	4	0020281
5	Permeate adapter	1	0030375
6	Seal washer	4	0020370
7	Retaining ring	2	0020310
8	Process adapter	2	0216003
9	1 1/2" Sanitary seal	2	0090400
10	1 1/2" Sanitary coupling	1	0210465
11	Process plug	1	0030040



SERVICE AND ONGOING TECHNICAL SUPPORT

Koch Membrane Systems, Inc. has an experienced staff of professionals available to assist end-users and OEMs for optimization of existing systems and support the development of new applications. Along with the availability of supplemental technical bulletins, Koch Membrane Systems, Inc. also offers a complete line of KOCHKLEEN® cleaning chemicals.

The information contained in this publication is believed to be accurate and reliable, but is not to be construed as implying any warranty or guarantee of performance. We assume no responsibility, obligation or liability for results obtained or damages incurred through the application of the information contained herein. Refer to Standard Terms and Conditions of Sale and Performance Warranty documentation for additional information.

Koch Membrane Systems, Inc., www.kochmembrane.com

Corporate Headquarters: 850 Main Street, Wilmington, Massachusetts 01887-3388, USA, Tel. Toll Free: 1-888-677-5624, Telephone: 1-978-694-7000, Fax: 1-978-657-5208

European Headquarters: Koch Chemical Technology Group Ltd., The Granary, Telegraph Street, Stafford ST17 4AT, United Kingdom, Telephone: +44-178-527-2500, Fax: +44-178-522-3149

- San Diego, California • Aachen, Germany • Lyon, France • Madrid, Spain • Milan, Italy • Wijnegem, Belgium • Beijing & Shanghai, China • Mumbai, India • Melbourne, Australia • Singapore • Sao Paulo, Brazil • Manama, Kingdom of Bahrain •

SPIRAPAK is a trademark, and KOCHKLEEN is a registered trademarks of Koch Membrane Systems, Inc.
 Koch Membrane Systems, Inc. is a Koch Chemical Technology Group, LLC company.
 © 2008 Koch Membrane Systems, Inc. All rights reserved worldwide. 04/08