



PURON[®] MP HOLLOW FIBER CARTRIDGE

8-inch Ultrafiltration Cartridge for Water and Wastewater Filtration

PRODUCT DESCRIPTION

Membrane Chemistry:	Proprietary PVDF
Membrane Type:	Braided hollow fiber for outside-in operation
Fiber Support Chemistry:	Polyester
Nominal Pore Size:	0.03 µm
Outside Fiber Diameter:	0.1 inch (2.6 mm)
Housing Shell:	PVC
Potting Material:	Proprietary Epoxy Compound
Storage Solution:	Glycerin/Water
Regulatory Status:	LT2 certified by the State of California DDW. Classified by UL to NSF/ANSI Standard 61 and in accordance with NSF/ANSI Standard 372.

PRODUCT SPECIFICATIONS

Part Number	Model	Membrane Area [ft ² (m ²)]	Typical Production Range [gpm (m ³ /hr)]
0728000	PURON [®] MP 8081-102	546 (51)	9 - 30 (2 – 6.8)

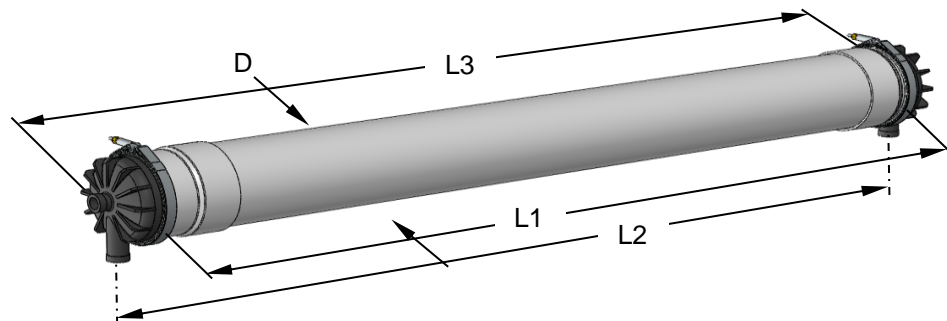
OPERATING & DESIGN INFORMATION*

Maximum Pressure (water):	45 psi (3.0 bar)** @ 104° F (40° C) or less
Temperature Range:	32° F (0° C) - 104° F (40° C)
Maximum Production Transmembrane Pressure:	25 psi (1.7 bar)
Maximum Backflush Transmembrane Pressure:	10 psi (0.7 bar)
Allowable pH Range (continuous operation):	4 – 9
Allowable pH Range (short term):	1.8 – 10.5
Maximum Total Chlorine @ 77° F (25° C) or lower:	1,000 ppm @ pH <10.5
Typical Air Scour Rate per Cartridge:	7 scfm (12 Nm ³ /hr)
Maximum Air Scour Rate per Cartridge:	9 scfm (15 Nm ³ /hr)
Typical Backflush Flow Rate per Cartridge:	19 gpm (4.3 m ³ /hr)

* Consult KMS Process Engineering group for specific applications

** Higher pressure, up to 3.6 bar (52 psi) requires specific approval of KMS Process Engineering group

NOMINAL DIMENSIONS*



Model	D Inches (mm)	L1 Inches (mm)	L2 Inches (mm)	L3 Inches (mm)
PURON [®] MP 8081-102	8.6 (220)	81 (2,060)	84 ⁹ / ₁₆ (2,148)	88 ¹ / ₈ (2,238)

* Dimensions are provided for reference only and should not be interpreted as accurate specifications.

PURON® MP HOLLOW FIBER CARTRIDGE

CARTRIDGE STORAGE CONDITIONS:

New cartridges are packaged in a glycerin/water solution. The glycerin/water solution should be removed from new cartridges before their initial use with a water rinse followed by a chlorine clean. See the pre-startup cleaning instruction sheet packed with each cartridge shipment for more details. Prior to installation, cartridges should be stored in their original packaging under the following conditions:

- Indoors, out of direct sunlight.
- Temperatures between 50 – 85°F (10 – 30°C).
- Relative humidity below 70%.
- In a horizontal position.

It is best to use new cartridges within one year of shipment. Consult KMS for recommendations for longer term storage.

Used cartridges should be cleaned, rinsed and impregnated before storage using a solution of 80 – 100% glycerin. New cartridge storage conditions should also be used for used cartridges. Used cartridges must be drained, rinsed, and cleaned after storage per the pre-startup cleaning instruction sheet.

CARTRIDGE ASSEMBLY AND COMPONENTS:

Item	Description	Quantity Required
1	PURON® MP Cartridge	1 each
2	8" Seal	2 each
3	8" Clamp	2 each
4	8" Top End Cap	1 each
5	8" Bottom End Cap	1 each
6	Vent Port O-rings	2 each
7	Vent 1½" groove end coupling	4 each
8	Spool sight glass	1 each

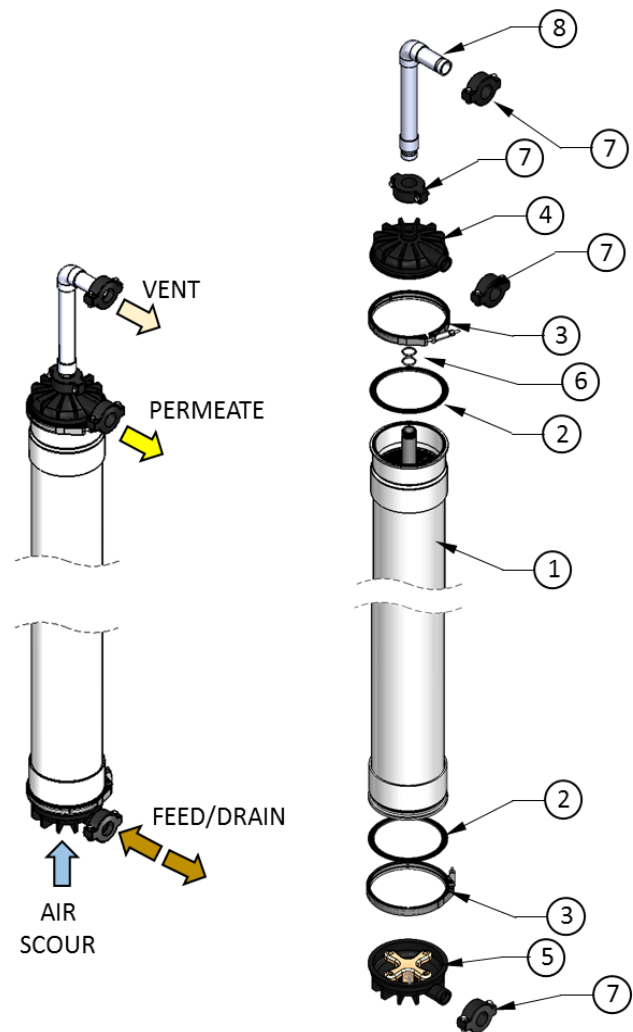
PURON® MP Pass Kit (Items 3-8) Part Number – 1021034
 PURON® MP End Cap Kit (items 3, 4, 5 & 6) – 1021075

Notes:

- Feed, permeate and vent ports are 1½" groove end couplings
- Air scouring connection is ½" OD tubing
- 8" seals (item 2) and O-rings (item 6) are included with the cartridge

CARTRIDGE WEIGHT AND HOLD UP VOLUME:

Cartridge shipping weight:	98 lbs (44.5 kg)
Cartridge hardware (Pass kit) weight:	12 lbs (5.5 kg)
Hold up volume:	10 gallons (38 Liters)



The information contained in this publication is believed to be accurate and reliable, but is not to be construed as implying any warranty or guarantee of performance. We assume no responsibility, obligation or liability for results obtained or damages incurred through the application of the information contained herein. Refer to Standard Terms and Conditions of Sale and Performance Warranty documentation for additional information.

Koch Membrane Systems, Inc., www.kochmembrane.com

Corporate Headquarters: 850 Main Street, Wilmington, Massachusetts 01887-3388 USA. Tel.: 1-888-677-KOCH.

For related trademark information, visit www.kochmembrane.com/legal

Koch Membrane Systems, Inc. is a Koch Chemical Technology Group, LLC company.

© 2017 Koch Membrane Systems, Inc. All rights reserved worldwide.

10/17 Rev 17-3